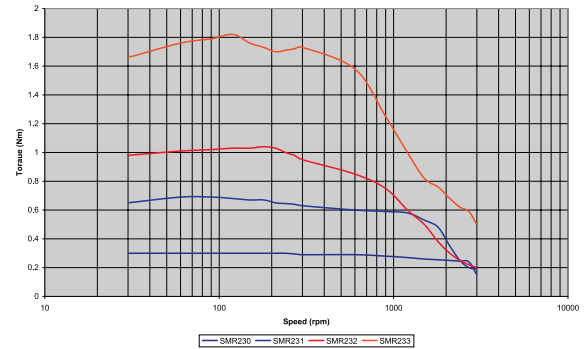




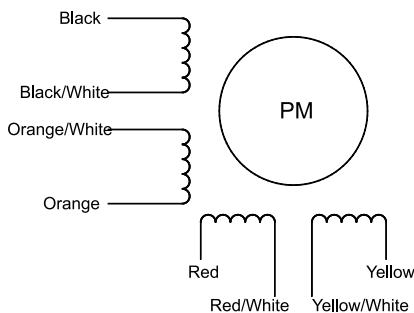
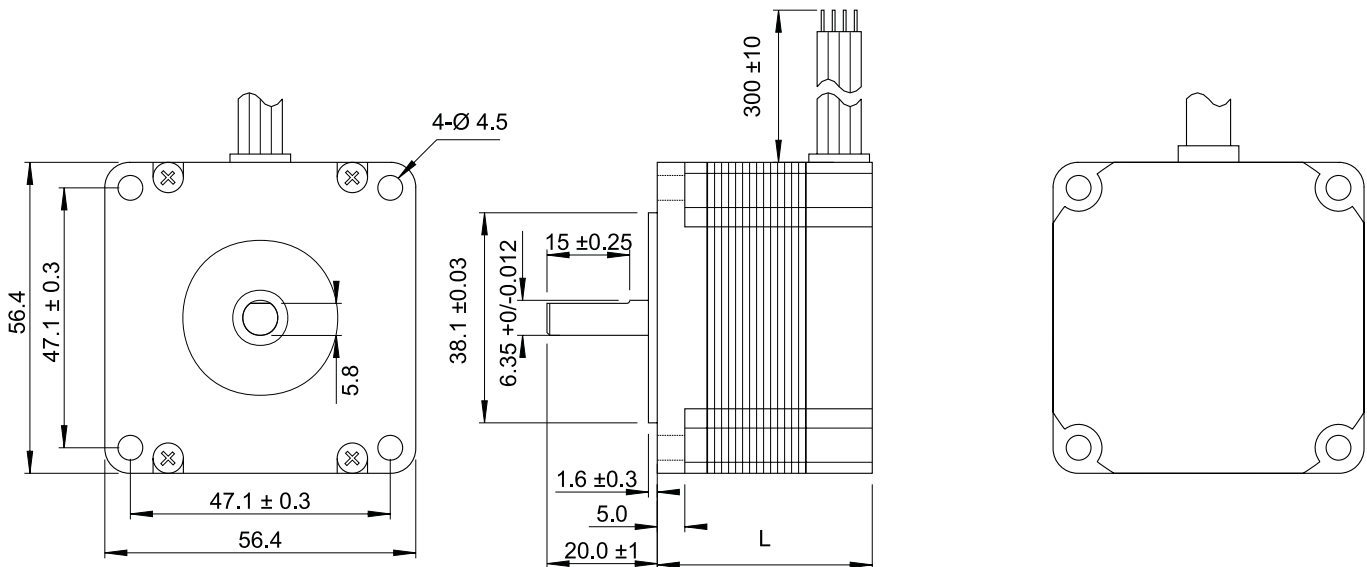
## G Series 23 Frame Stepper Motors



SmartDrive's NEW G Series 23 frame stepper motors bring you the latest high-performance hybrid stepper motor technology at an economical price. High-Torque Rare-Earth Magnet designs offer unprecedented torque to inertia ratios to deliver the best performance for your application.

	SMR230-042-G-FN	SMR231-042-G-FN	SMR232-042-G-FN	SMR233-050-G-FN
Unipolar Current (A)	3.0	3.0	3.0	3.5
Drive	DM55/9	DM55/9	DM55/9	DM55/9
Phase Resistance (Ω)	0.63	0.75	1.0	0.82
Inductance (mH)	0.6	1.2	1.6	1.4
Holding Torque (Nm)	0.343	0.88	1.34	1.4
Rotor Inertia (g•cm <sup>2</sup> )	120	260	430	520
Weight (Kg)	0.45	0.7	1.0	1.3
Body Length 'L' (mm)	39	54	76	84
Leads	8	8	8	8
UK Stock	✓	✓	✓	✓

Special Options: ✓ Double Shaft  
✓ Incremental Encoder



	1A	Link	1B	2A	Link	2B
Parallel	Black & Orange/White	N/A	Black/White & Orange	Red & Yellow/White	N/A	Red/White & Yellow
Series	Black	Black/White & Orange/White	Orange	Red	Red/White & Yellow/White	Yellow