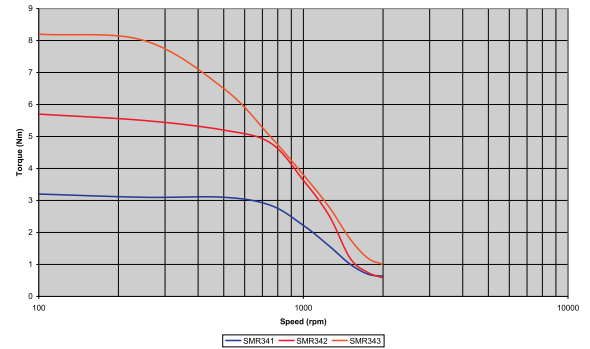


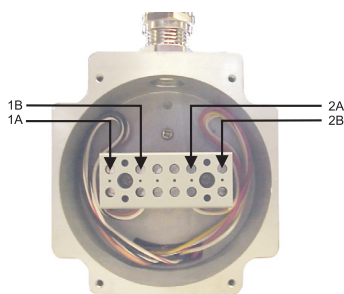
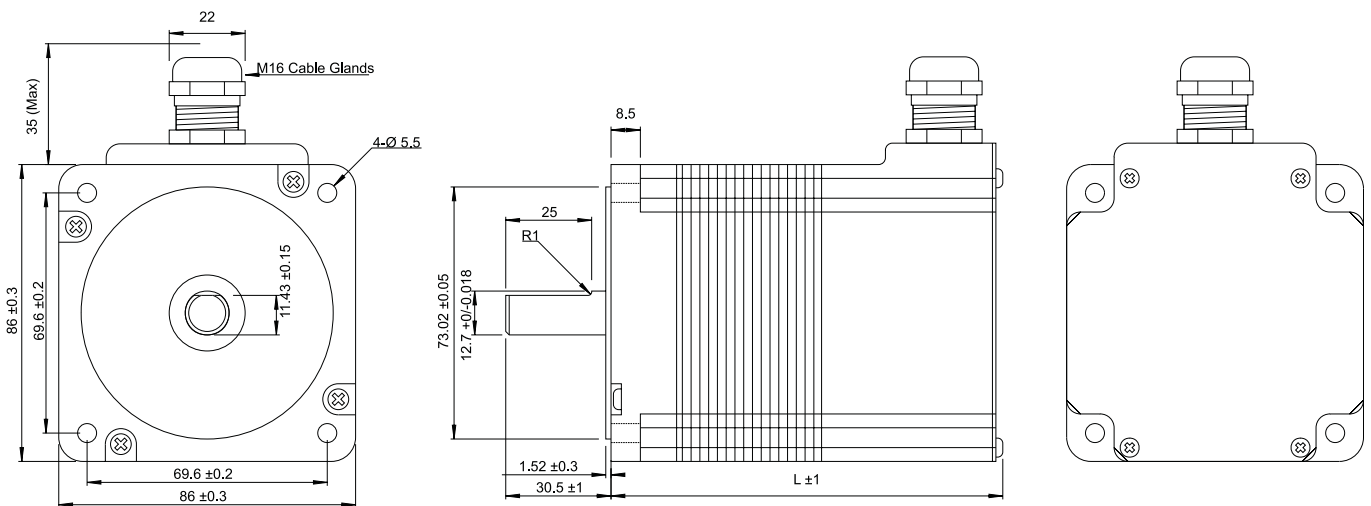


G Series 34 Frame Stepper Motors with Terminal Box

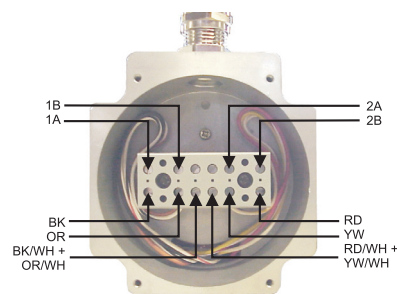


SmartDrive's NEW G Series 34 frame stepper motors bring you the latest high-performance hybrid stepper motor technology at an economical price. High-Torque Rare-Earth Magnet designs offer unprecedented torque to inertia ratios to deliver the best performance for your application.

	SMR341-064-G-FT	SMR342-064-G-FT	SMR343-056-G-FT
Unipolar Current (A)	4.5	4.5	4.0
Drive	DM110/9	DM110/9	DM110/9
Phase Resistance (Ω)	0.4	0.62	0.84
Inductance (mH)	1.75	3.1	4.7
Holding Torque (Nm)	2.45	5.4	7.35
Rotor Inertia (Kg•cm ²)	1.6	3.2	4.8
Weight (Kg)	2.1	3.5	5.0
Body Length 'L' (mm)	112.5	151	189.5
Leads	8	8	8
UK Stock	✓	✓	✓



Parallel Wiring



Series Wiring