



**SmartDrive**

• DRIVES AND CONTROLS •



# SMR34X-XXXX-E-PN



**NOW WITH IP65 OPTION**

- Plain shaft for easy mounting
- 8 lead construction
- Outstanding performance
- Choice of series or parallel wiring
- Performance from 2 - 9Nm
- Standard NEMA 34 mountings
- All single shaft models readily available
- Range of build options

## Build Options\*

- Terminal Box
- Gearbox
- Flat added to motor shaft
- Keyway on shaft
- IP65



## Motor Cables

For ease of installation and compliance with EMC requirements, SmartDrive produce a range of motor cables, pre-wired to connect SA and RA systems to our range of motors. For this motor family, we suggest using our 6A and 16A motor cables, depending on motor specification.

6A Part number :CAB06/x

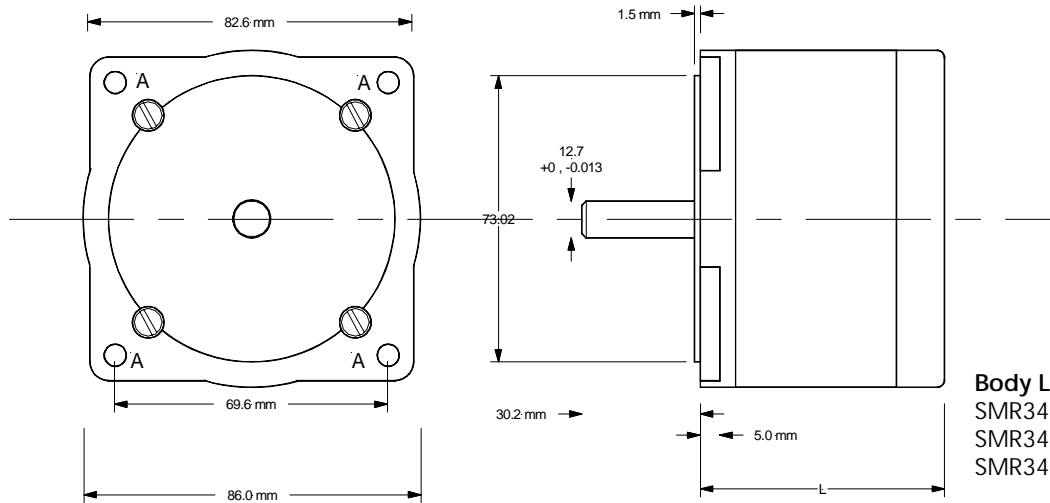
16A Part Number :CAB16/x

(where x is the length in metres that you require).

\*other options may be available for special orders and large quantities. Content SmartDrive for more information.

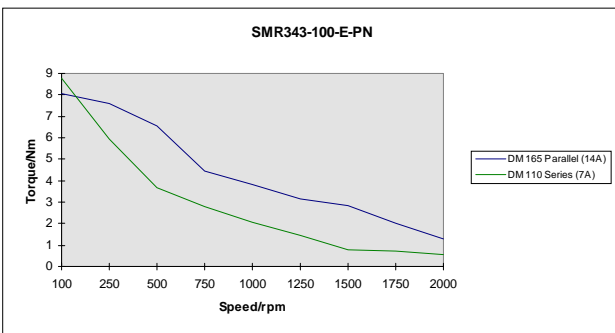
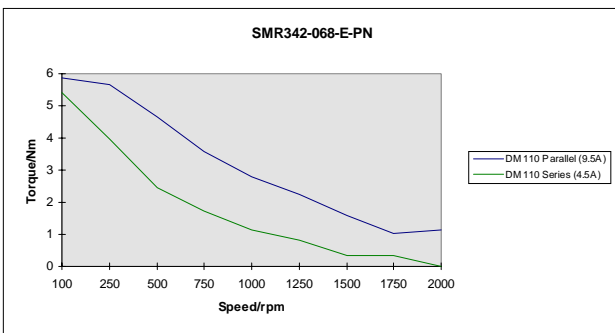
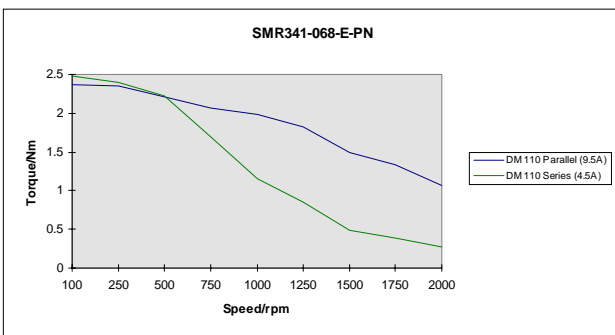
"34 frame Rare Earth family"

# Mechanical



Body Lengths (L/mm)	
SMR341-068-E-PN	62.65
SMR342-068-E-PN	94.25
SMR343-100-E-PN	127.25

# Performance



# Specification

	341-068	342-068	343-100
	Parallel		
Connection Mode	Parallel		
Suitable Drive	D(M)110	D(M)110	D(M)165
Holding Torque (Nm)	3.2	6.6	10.0
at DC 2 Phases (A)	6.8	6.8	10
Running Torque (Nm)	1.8	4.7	6.6
at *optimum rpm	1250	500	500
at supply current (A)	4.8	4.2	5.8
Inductance per phase (mH)	1.1	2.5	1.6
Resistance per phase (W)	0.3	0.5	0.3
Rated Current rms (A)	6.8	6.8	10.0
Rated Current peak (A)	9.5	9.5	14
Weight (kg)	1.6	2.7	3.9

**Note:** Test results @ 90V DC, not continuous ratings. \*optimum rpm is that at which 80% of low speed torque is still achieved and corresponds closely to maximum power.

# Technical Data

**SmartDrive Ltd**  
 The Old School  
 Colne Road  
 Earith  
 Cambridge  
 PE17 3PX  
 UK

Tel +44 (0)1487 843663  
 Fax +44 (0)1487 843661  
 Web <http://www.smartdrive.co.uk>  
 E-mail [info@smartdrive.co.uk](mailto:info@smartdrive.co.uk)