



SmartDrive

• DRIVES AND CONTROLS •



16 Bi-directional 24V I/O

Easy DIN rail mounting

Individual Status LEDs

Fast 500 Kbaud CAN link

DeviceNet plug format

Compact 90w x 34d x 110h

CAN link for up to 16 modules over 100 meters

Outputs are individually over current
& over temp protected

NEW !

CAN16 I/O

The CAN16 I/O module offers a compact DIN rail mounted I/O expansion capability for the SmartDrive range of controllers. Up to 16 modules may be connected to the CAN link which may be up to 100m long. This provides 256 Bi-directional channels of distributed I/O and considerably reduces machine wiring.



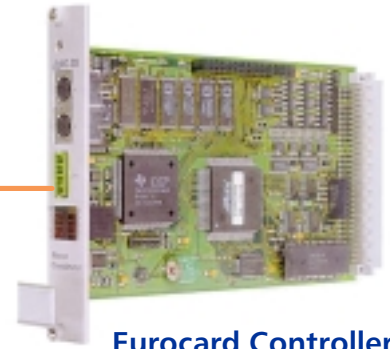
SmartDrive CAN 16 I/O

*Remote digital I/O expansion on
fast CANbus*

EMC Compliant



- BS EN50082-2 (1995) Industrial Noise Immunity.
- BS EN55022 (1995) Class A Industrial Noise Emissions.



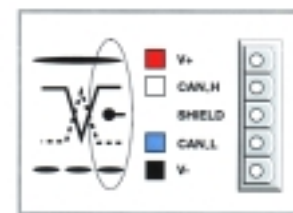
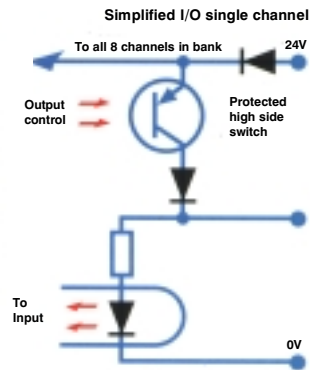
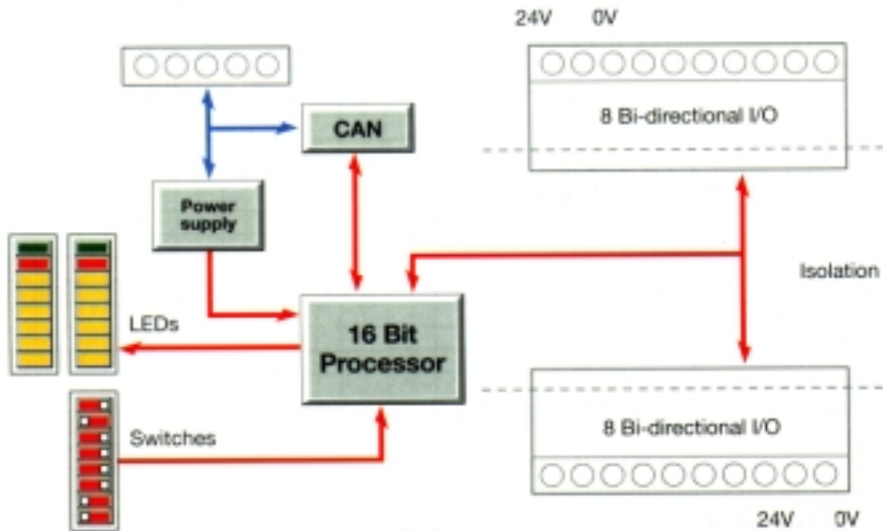
Eurocard Controller



16 Bi-directional 24V I/O arranged in two banks of 8, each with their own isolated 24V supply input



Bookcase Controller



Summary of Features - CAN 16 I/O

- Status LEDs and power /fault indication for all I/O
- All outputs individually over current and over temperature protected
- Outputs are current sourcing (PNP) and will drive 250mA to each, to a Max of 1A per bank of 8 I/O
- All I/O is opto isolated to 2500V
- Up to 16 modules may be addressed providing 256 expansion I/O channels
- 500 kbaud CAN interface
- DIP switch CAN address selection
- DeviceNET plug style
- Power supply 24V
- Power consumption 1.5W
- Connections all made via screw terminals
- DIN rail mounting
- Size: 90mm x 45mm x125mm Overall (including connectors)
- Weight: 200g

SmartDrive Ltd

The Old School
Colne Road
Earith
Cambridge
PE17 3PX
UK

Tel +44 (0)1487 843663
Fax +44 (0)1487 843661
Web <http://www.smartdrive.co.uk>
E-mail info@smartdrive.co.uk

Technical Data